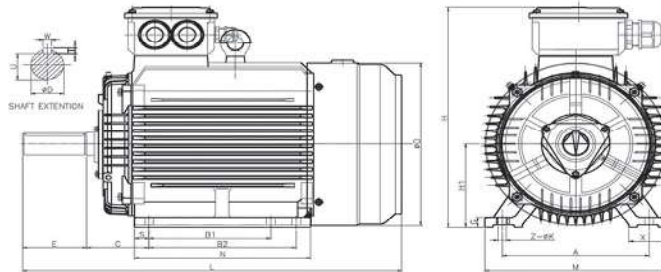


동원 프리미엄 4극 황형 모터



외형치수도



kW	HP	Frame No.	DIMENSIONS(mm)																	BEARING NO.		kg		
			L	H	H1	ΦO	B1	B2	N	S	C	E	A	M	X	G	Z-ΦK	ΦD	T	U	W		DRIVE	OPP. DRIVE
0.75	1	80M	294	206	80	154	100		122	11	50	40	125	159	27	10	4-10	19	6	15.5	6	6204ZZ	6204ZZ	13
1.5	2	90L	373	222	90	172	125		155	15	56	50	140	177	35	12	4-10	24	7	20	8	6205ZZ	6205ZZ	18.5
2.2	3	100L	401	247	100	193	140		176	17	63	60	160	208	42	12	4-12	28	7	24	8	6206ZZ	6206ZZ	27
3.7	5	112M	429	281	112	213	140		180	20	70	60	190	222	45	12	4-18	28	7	24	8	6206ZZ	6206ZZ	38
5.5	7.5	132S	492	320	132	252	140		180	20	89	80	216	256	50	15	4-18	38	8	33	10	6208ZZ	6208ZZ	50
7.5	10	132M	530	320	132	252	178		218	20	89	80	216	256	50	15	4-18	38	8	33	10	6208ZZ	6208ZZ	58
11	15	160M	610	424	160	314	210		260	25	108	110	254	314	65	20	4-14.5	42		37	12	6209ZZ	6209ZZ	122
15	20	160L	654	424	160	314	210	254	304	25	108	110	254	314	65	20	6-14.5	42		37	12	6309ZZ	6209ZZ	144
18.5	25	180M	686	463	180	354	241		311	35	121	110	279	349	70	22	4-14.5	48		42.5	14	6311ZZ	6211ZZ	185
22	30	180M	686	463	180	354	241		311	35	121	110	279	349	70	22	4-14.5	48		42.5	14	6312ZZ	6211ZZ	204
30	40	180L	724	463	180	354	279		349	35	121	110	279	349	70	22	4-14.5	55		49	16	6312ZZ	6211ZZ	214
37	50	200L	799	512	200	396	305		369	32	133	140	318	388	70	25	4-18.5	60		53	18	6313ZZ	6212ZZ	297
45	60	200L	799	512	200	396	305		369	32	133	140	318	388	70	25	4-18.5	60		53	18	6313ZZ	6212ZZ	299
55	75	225S	848	558	225	445	286	311	393	46	149	140	356	431	75	28	6-18.5	65		58	18	6314ZZ	6312ZZ	382
75	100	250S	909	617	250	484	311	349	445	55	168	140	406	484	80	30	6-24	75		68	20	6317ZZ	6313ZZ	500
90	120	250M	909	617	250	484	349		445	55	168	140	406	484	80	30	4-24	75		68	20	6317ZZ	6313ZZ	512
110	150	280S	1009	676	280	546	368		485	44	190	170	457	542	85	35	4-24	85		76	22	6318ZZ	6314ZZ	719
132	180	280M	1060	676	280	546	419		536	69	190	170	457	542	85	35	4-24	85		76	22	6318ZZ	6314ZZ	725
160	215	315S	1223	855	315	620	406		570	29	216	170	508	628	120	45	4-28	95		86	25	6320C3	6319C3	1088
185	250	315M	1333	855	315	620	457		680	84	216	170	508	628	120	45	4-28	95		86	25	6320C3	6319C3	1220
200	270	315M	1333	855	315	620	457		680	84	216	170	508	628	120	45	4-28	95		86	25	6320C3	6319C3	1228

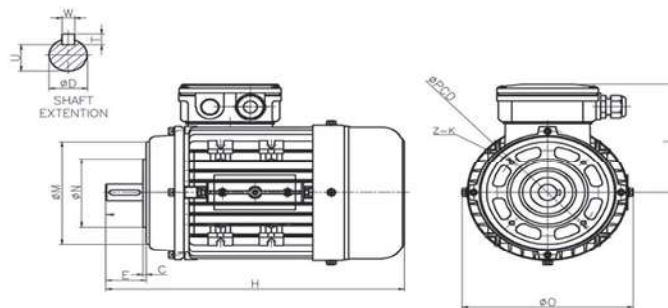
결선도

회전방향	Δ결선(저전압)	Y결선(고전압)	Y-Δ결선(저전압)
정방향(CW)	③ ↑ U1 ② ↑ V1 ① ↑ W1 ↓ U2 ↓ V2 ↓ W2	③ ↑ U1 ② ↑ V1 ① ↑ W1 ↓ U2 — V2 — W2	③ ↑ U1 ② ↑ V1 ① ↑ W1 ↓ U2 ↓ V2 ↓ W2 ⑤ ④ ⑥
역방향(CCW)	① ↑ U1 ② ↑ V1 ③ ↑ W1 ↓ U2 ↓ V2 ↓ W2	① ↑ U1 ② ↑ V1 ③ ↑ W1 ↓ U2 — V2 — W2	① ↑ U1 ② ↑ V1 ③ ↑ W1 ↓ U2 ↓ V2 ↓ W2 ⑥ ④ ⑤

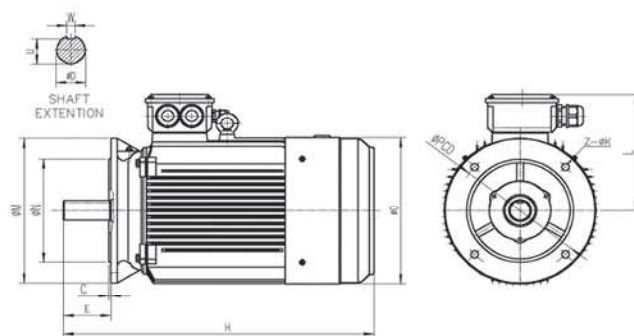
동원 프리미엄 2극 입형 모터



외형치수도



kW	HP	Frame No.	Mounting	DIMENSIONS(mm)											BEARING NO.		kg		
				H	C	E	ΦM	ΦN	O	L	ΦPCD	Z-K	ΦD	T	U	W		DRIVE	OPP.DRIVE
0.75	1	80M	B14	294	3	40	120	80	169	126	100	4-M6	19	6	15.5	6	6204ZZC3	6204ZZC3	9.5
1.1	1.5	80M	B14	294	3	40	120	80	169	126	100	4-M6	19	6	15.5	6	6204ZZC3	6204ZZC3	10.5
1.5	2	90S	B14	336	3	50	136	95	185	132	115	4-M8	24	7	20	8	6205ZZC3	6205ZZC3	15
2.2	3	90L	B14	373	3	50	136	95	185	132	115	4-M8	24	7	20	8	6205ZZC3	6205ZZC3	19
3	4	100L	B14	401	3.5	60	164	110	208	147	130	4-M8	28	7	24	8	6206ZZC3	6206ZZC3	25
4	5.5	112M	B14	405	3.5	56.5	160	110	219	168	130	4-M8	28	7	23.2	8	6306ZZC3	6306ZZC3	34
5.5	7.5	132S	B14	466.5	4	76	200	130	258	187	165	4-M8	38	8	32.1	10	6308ZZC3	6308ZZC3	49.5
7.5	10	132S	B14	466.5	4	76	200	130	258	187	165	4-M8	38	8	32.1	10	6308ZZC3	6308ZZC3	55



kW	HP	Frame No.	Mounting	DIMENSIONS(mm)											BEARING NO.		kg	
				H	C	E	ΦM	ΦN	ΦO	L	ΦPCD	Z-ΦK	ΦD	U	W	DRIVE		OPP.DRIVE
11	15	160M	B5	610	5	110	350	250	350	264	300	4-18.5	42	37	12	6309ZZC3	6309ZZC3	122
15	20	160M	B5	610	5	110	350	250	350	264	300	4-18.5	42	37	12	6309ZZ	6309ZZ	137
18.5	25	160L	B5	654	5	110	350	250	350	264	300	4-18.5	42	37	12	6309ZZ	6309ZZ	150
22	30	180M	B5	686	5	110	350	250	350	283	300	4-18.5	48	42.5	14	6312ZZ	6311ZZ	198
30	40	200L	B5	769	5	110	400	300	400	312	350	4-18.5	55	49	16	6313ZZ	6312ZZ	244
37	50	200L	B5	769	5	110	400	300	400	312	350	4-18.5	55	49	16	6313ZZ	6312ZZ	261
45	60	255M	B5	818	5	110	450	350	450	333	400	8-18.5	55	53	18	6312ZZ	6312ZZ	324
55	75	250M	B5	909	5	140	550	450	484	367	500	8-18.5	60	53	18	6314ZZ	6313ZZ	407
75	100	280S	B5	959	5	140	550	450	546	396	500	8-18.5	65	58	18	6317ZZ	6314ZZ	575